

VEHICLE  
LIGHTING MANUFACTURER

---



R E L E A S E D

2020-2021



## LED Control System

FT-700 LED

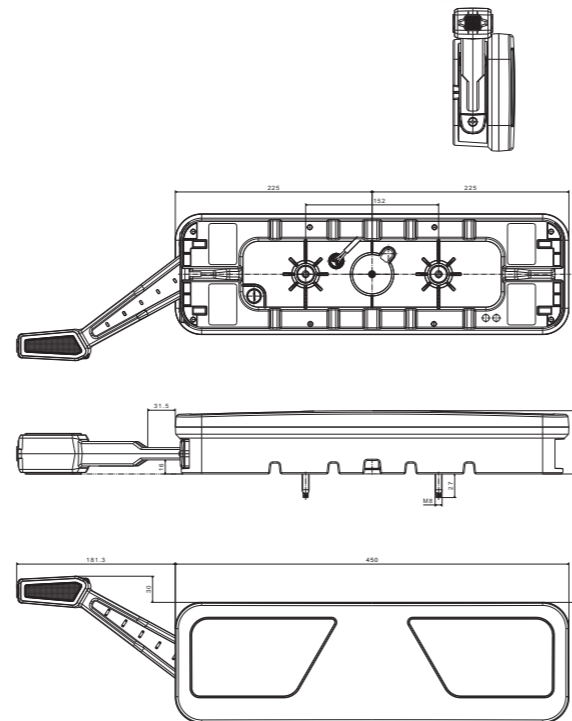


### Rear lamps

- 6-functional universal LED lamp
- ABS enclosure with M8 neck bolts
- Optimised light performance – the patented Amphenol pressure bleeding valve
- Reverse polarity protection
- **Integrated LED light control system**, which is compatible with vehicle electronic onboard systems to prevent onboard malfunctions and DTCs

#### LAMP FUNCTIONS:

- rear running light
- STOP light
- indicator
- reversing light
- fog light
- reflector



FT-700-066 L LED	Universal left-hand 24V LED rear light cluster; 6 modes: STOP / POSITION / INDICATOR / REVERSING / FOG / TRIANGULAR REFLECTOR; 2.5 m long connection cable.
FT-700-066 P LED	Universal right-hand 24V LED rear light cluster; 6 modes: STOP / POSITION / INDICATOR / REVERSING / FOG / TRIANGULAR REFLECTOR; 2.5 m long connection cable.
FT-700-146 L LED	Universal left-hand 24V LED rear light cluster; 6 modes: STOP / POSITION / INDICATOR / REVERSING / FOG / TRIANGULAR REFLECTOR; with corner clearance light and a 2.5 m long connection cable.
FT-700-146 P LED	Universal right-hand 24V LED rear light cluster; 6 modes: STOP / POSITION / INDICATOR / REVERSING / FOG / TRIANGULAR REFLECTOR; with corner clearance light and a 2.5 m long connection cable.



FT-277 LED

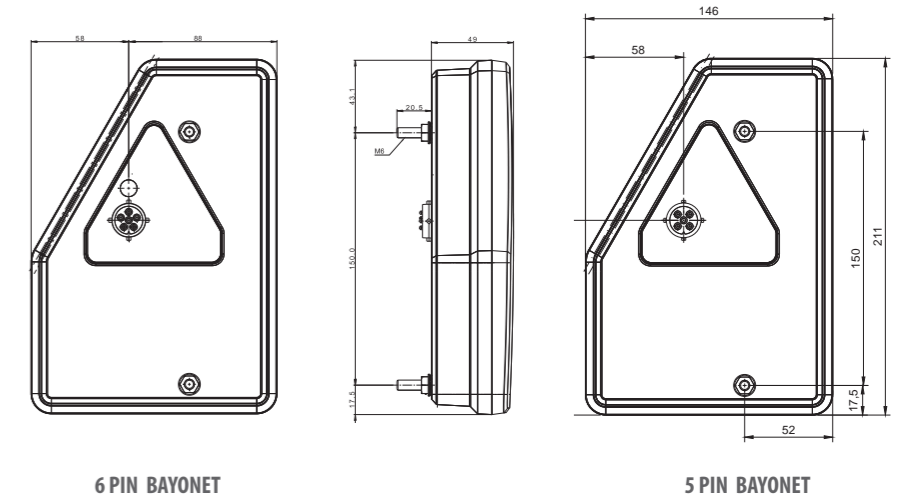


### Rear lamps

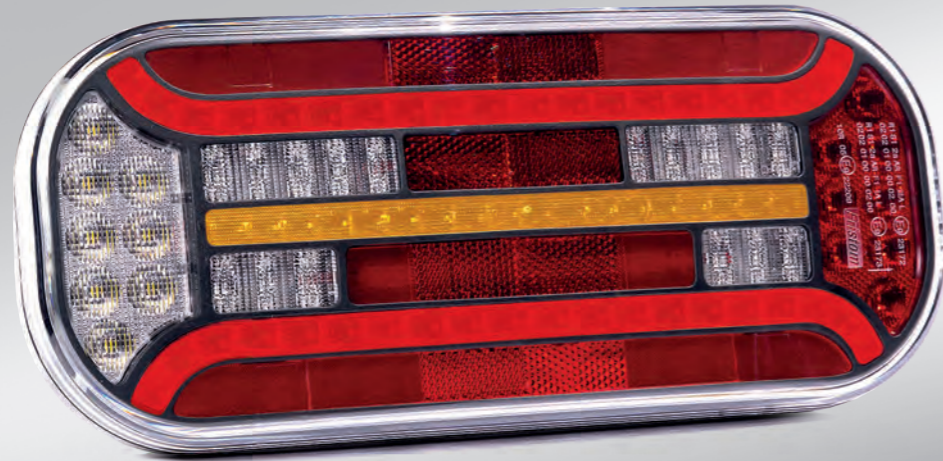
- 6-functional universal LED lamp
- Zabezpieczenie elektryczne Reverse polarity protection system

#### LAMP FUNCTIONS:

- rear running light
- STOP light
- indicator
- reversing light
- fog light
- reflector kat. IIIA



FT-277 L LED	Universal LED rear lamp left with LED reflector triangle 12V, 6-functional STOP/ POSITION/ INDICATOR/ FOG/ REVERSING, without number plate light., 1 m wire loom.
FT-277 P LED	Universal LED rear lamp left with LED reflector triangle 12V, 6-functional STOP/ POSITION/ INDICATOR/ FOG/ REVERSING, without number plate light., 6 PIN BAYONET connector.
FT-277 L LED BAJONET 6PIN	Universal LED rear lamp right with LED reflector triangle 12V, 6-functional STOP/ POSITION/ INDICATOR/ FOG/ REVERSING, without number plate light., 1 m wire loom.
FT-277 P LED BAJONET 6PIN	Universal LED rear lamp right with LED reflector triangle 12V, 6-functional STOP/ POSITION/ INDICATOR/ FOG/ REVERSING, without number plate light., 6 PIN BAYONET connector.
<b>FT-277 L LED SPKPM BAJONET 5PIN</b>	<b>Universal LED left rear lamp with reflective triangle, 12V, 5-functional, STOP/ POSITION/ INDICATOR/ FOG without number plate light, 5PIN Bayonet connector.</b>
<b>FT-277 P LED SPKCOF BAJONET 5PIN</b>	<b>Universal LED right rear lamp with reflective triangle, 12V, 5-functional, STOP/ POSITION/ INDICATOR/ REVERSING without number plate light, 5PIN Bayonet connector.</b>



**INTELLIGENT STOP LIGHT**  
As a new trend on the market the lamp uses intelligent STOP light technology. When the fog light is on, the STOP function beams partly to meet requirements for approval.

**FT-600 LED**

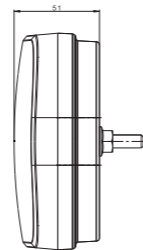
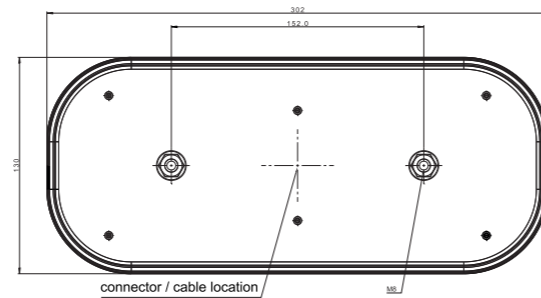


## Rear lamps

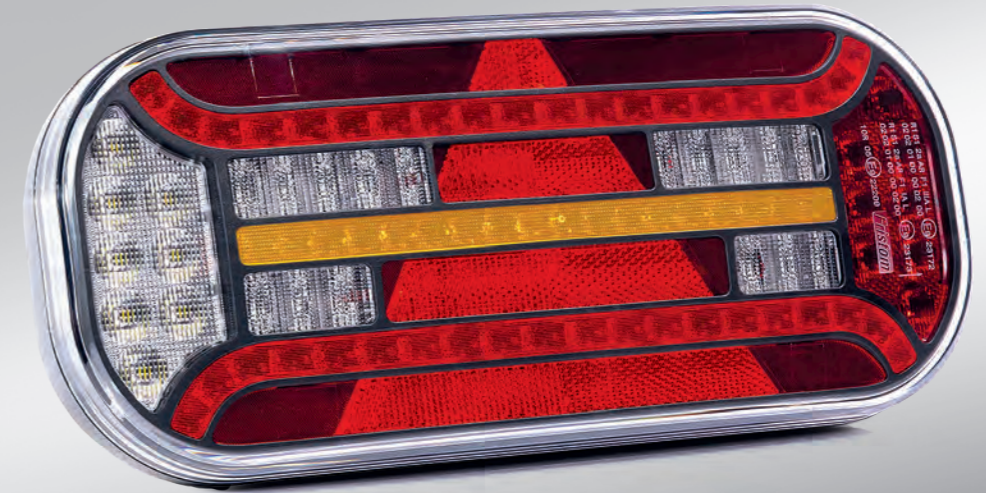
- 7-functional universal LED lamp
- Reverse polarity protection system

### LAMP FUNCTIONS:

- rear running light
- number plate light (bottom)
- STOP light
- indicator
- reversing light
- fog light
- reflector



FT-600 L LED DI	Universal LED rear lamp 12-36V, left 6-functional, stop/ position/ indicator/ reversing/ fog/ reflector without number plate light, 1 m cable.
FT-600 L T LED DI	Universal LED rear lamp 12-36V, left 7-functional, stop/ position/ indicator/ reversing/ fog/ reflector with number plate light, 1 m cable.
FT-600 P LED DI	Universal LED rear lamp 12-36V, right 6-functional, stop/ position/ indicator/ reversing/ fog/ reflector without number plate light, 1 m cable.
FT-600 P T LED DI	Universal LED rear lamp 12-36V, right 7-functional, stop/ position/ indicator/ reversing/ fog/ reflector with number plate light, 1 m cable.



**INTELLIGENT STOP LIGHT**  
As a new trend on the market the lamp uses intelligent STOP light technology. When the fog light is on, the STOP function beams partly to meet requirements for approval.

**FT-610 LED**

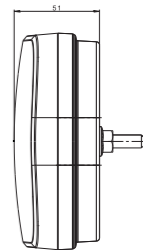
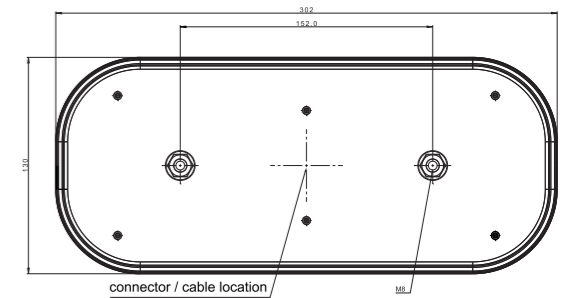


## Rear lamps

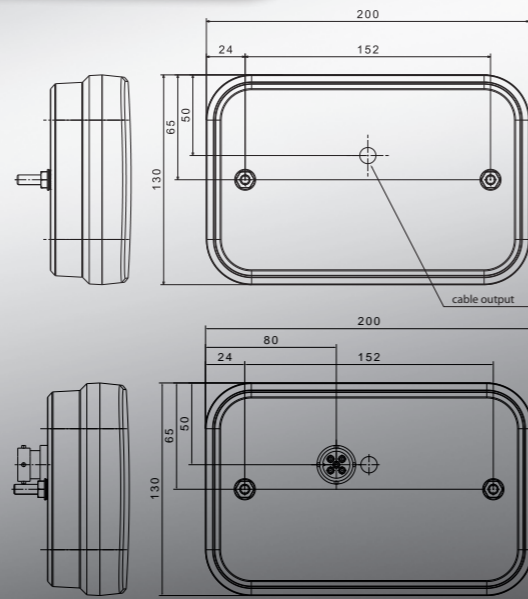
- 7-functional universal LED lamp
- Reverse polarity protection system

### LAMP FUNCTIONS:

- rear running light
- number plate light (bottom)
- STOP light
- indicator
- reversing light
- fog light
- reflector



FT-610 L LED DI	Universal LED rear lamp with reflective triangle, 12-36V, left 6-functional, stop/ position/ indicator/ reversing/ fog without number plate light, 1 m cable.
FT-610 L T LED DI	Universal LED rear lamp with reflective triangle, 12-36V, left 6-functional, stop/ position/ indicator/ reversing/ fog with number plate light, 1 m cable.
FT-610 P LED DI	Universal LED rear lamp with reflective triangle, 12-36V, right 6-functional, stop/ position/ indicator/ reversing/ fog without number plate light, 1 m cable.
FT-610 P T LED DI	Universal LED rear lamp with reflective triangle, 12-36V, right 6-functional, stop/ position/ indicator/ reversing/ fog with number plate light, 1 m cable.



**FT-270 LED O**



**FT-213 LED DI**



## Rear lamps

- 6-functional universal LED lamp
- Reverse polarity protection system
- With light control system – system Canbus

### LAMP FUNCTIONS:

- rear running light
- number plate light
- STOP light
- indicator
- fog light (depending on the version)
- reversing light (depending on the version)
- reflector (triangle)

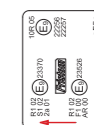
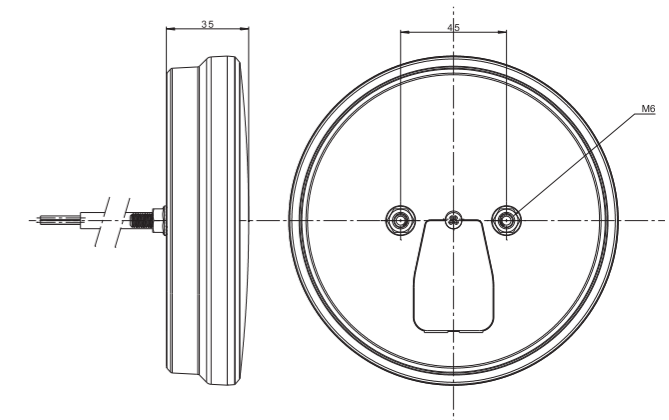
FT-270 L NT LED PM	Universal LED rear lamp left with LED reflector triangle 12V, 5-functional STOP/POSITION/INDICATOR /FOG, without number plate light., 1 m wire loom.
FT-270 L NT LED PM BAJONET 5 PIN	Universal LED rear lamp left with LED reflector triangle 12V, 5-functional STOP/POSITION/INDICATOR /FOG, without number plate light., 5 PIN BAJONET connector.
FT-270 L TB LED PM	Universal LED rear lamp left with LED reflector triangle 12V, 6-functional STOP/POSITION/INDICATOR /FOG, with number plate light., 1 m wire loom.
FT-270 L TB LED PM BAJONET 5PIN	Universal LED rear lamp left with LED reflector triangle 12V, 6-functional STOP/POSITION/INDICATOR /FOG, with number plate light., 5 PIN BAJONET connector.
FT-270 P NT LED COF	Universal LED rear lamp right with LED reflector triangle 12V, 5-functional STOP/POSITION/INDICATOR /REVERSING, without number plate light., 1 m wire loom.
FT-270 P NT LED COF BAJONET 5PIN	Universal LED rear lamp right with LED reflector triangle 12V, 5-functional STOP/POSITION/INDICATOR /REVERSING, without number plate light., 5 PIN BAJONET connector.
FT-270 P TB LED COF	Universal LED rear lamp right with LED reflector triangle 12V, 6-functional STOP/POSITION/INDICATOR /REVERSING, with number plate light., 1 m wire loom.
FT-270 P TB LED COF BAJONET 5 PIN	Universal LED rear lamp right with LED reflector triangle 12V, 6-functional STOP/POSITION/INDICATOR /REVERSING, with number plate light., 5 PIN BAJONET connector.
FT-270 L NT LED O PM BAJONET 5PIN	Universal LED left rear lamp with reflective triangle, 12V, 5-functional, STOP/ POSITION/ INDICATOR/ FOG without number plate light, 5 PIN Bayonet connector, with LED control system.
FT-270 L TB LED O PM BAJONET 5PIN	Universal LED left rear lamp with reflective triangle, 12V, 6-functional, STOP/ POSITION/ INDICATOR/ FOG with side number plate light, 5 PIN Bayonet connector, with LED system control.
FT-270 P NT LED O COF BAJONET 5PIN	Universal LED right rear lamp with reflective triangle, 12V, 5-functional, STOP/ POSITION/ INDICATOR/ REVERSING without number plate light, 5 PIN Bayonet connector, with LED system control.
FT-270 P TB LED O COF BAJONET 5PIN	Universal LED right rear lamp with reflective triangle 12V, 6-functional, STOP/ POSITION/ INDICATOR /REVERSING with side number plate light, 5 PIN Bayonet connector, with LED system control.

## Rear lamps

- 3-functional universal LED
- Reverse polarity protection system
- The lamp depth is only 35 mm
- Dynamic indicator
- Crystal-like position light
- Creates the illusion of living light, even while looking at the lamp from different angles.

### LAMP FUNCTIONS:

- rear position light
- STOP light
- indicator



The arrow indicates the lamp assembly orientation toward outside of the vehicle.

**FT-213 LED DI** Universal LED 3-functional rear lamp 12/24V, round for separate mounting, rear position, stop, indicator lights, cable 1 m.



**FT-222 LED**

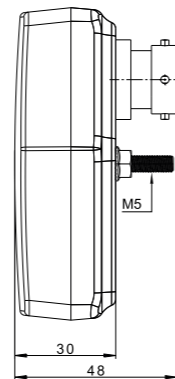
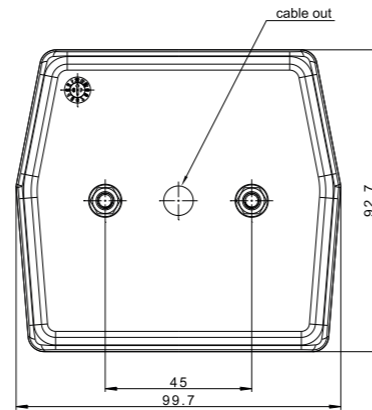


Rear lamps

- 3- / 4-functional universal LED lamp
- Reverse polarity protection system
- The lamp depth is only 30 mm

LAMP FUNCTIONS:

- rear position light
- number plate light
- STOP light
- indicator
- number plate light



FT-222 LED	Universal LED rear lamp 12V, 3-functional STOP/POSITIONAL/INDICATOR, 1 m cable.
FT-222 LED BAJONET	Universal LED rear lamp 12V, 3-functional STOP/POSITIONAL/INDICATOR, 5PIN Bayonet connector.
FT-222 T LED	Universal LED rear lamp 12V, 4-functional STOP/POSITIONAL/INDICATOR with number plate, 1 m cable.
FT-222 T LED BAJONET	Universal LED rear lamp 12V, 4-functional STOP/POSITIONAL/INDICATOR with number plate, 5PIN Bayonet connector.



**FT-214 LED**

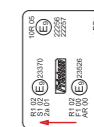
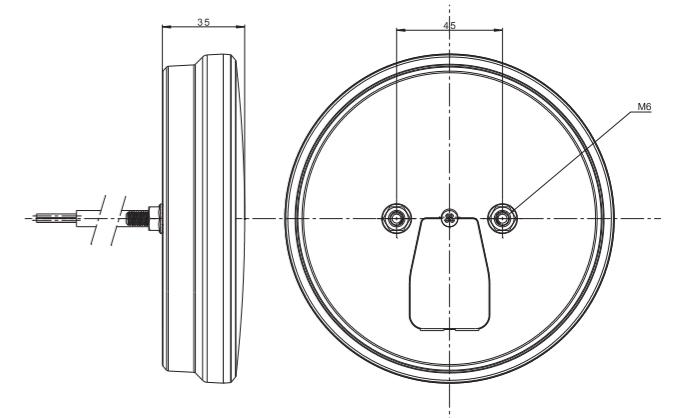


Fog lamp  
Reversing lamp

- 3-functional universal LED
- Reverse polarity protection system
- The lamp depth is only 35 mm
- Dynamic indicator
- Crystal-like position light
- Creates the illusion of living light, even while looking at the lamp from different angles.

LAMP FUNCTIONS:

- rear running light
- reversing light
- fog light



The arrow indicates the lamp assembly orientation toward outside of the vehicle.

FT-214 LED	Universal LED 3 functional lamp POSITON/ FOR/ REVERSING, 12 / 24V, round with 1.0 m wiring loom.
------------	--



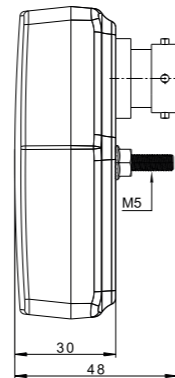
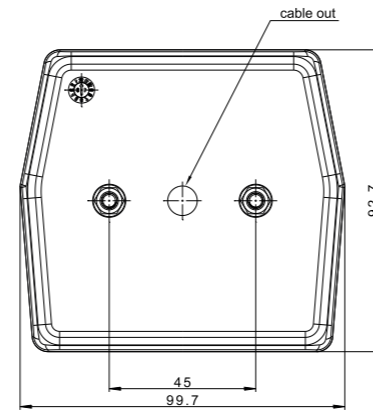
**FT-223 LED**



Fog lamp

- 1-functional universal LED lamp
- Reverse polarity protection system
- The lamp depth is only 30 mm

- LAMP FUNCTIONS:
- fog light



FT-223 LED	Universal LED fog lamp 12 / 24V, round with position light and 1.0 m wiring loom.
FT-223 LED BAJONET	Universal LED fog lamp 12 / 24V, round with position light and 5 PIN bayonet connector.



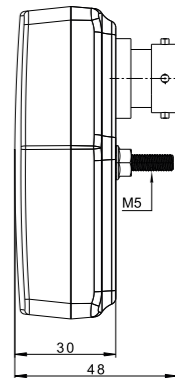
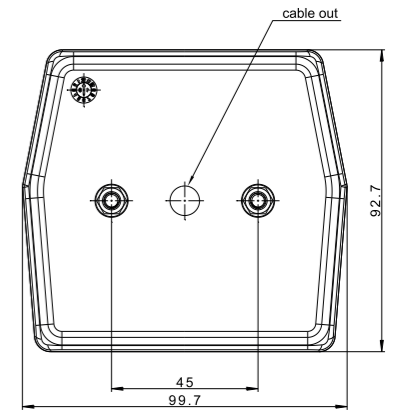
**FT-224 LED**



Reversing lamp

- 1-functional universal LED lamp
- Reverse polarity protection system
- The lamp depth is only 30 mm

- LAMP FUNCTIONS:
- reversing light



FT-224 LED	Universal LED 1-functional rear reversing lamp 12V, round with a 1 m wiring loom.
FT-224 LED BAJONET	Universal LED 1-functional rear reversing lamp 12V, round with 5 PIN bayonet connector.



**FT-225 LED**

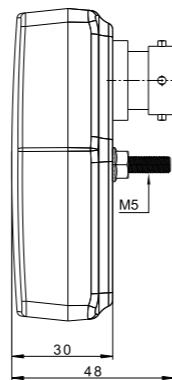
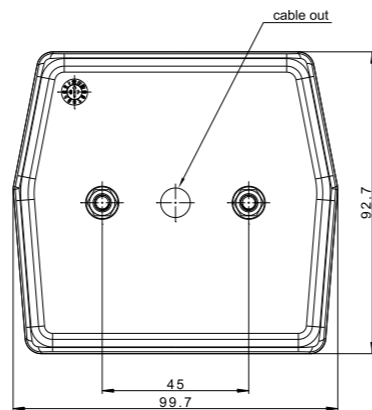


Indicator lamp

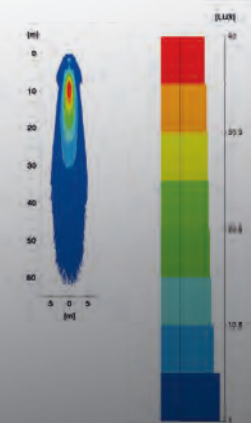
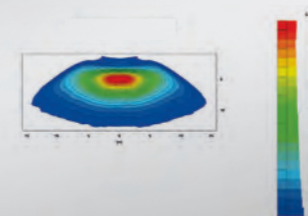
- 2-functional universal LED lamp
- Reverse polarity protection system
- The lamp depth is only 30 mm

LAMP FUNCTIONS

- front position light
- front indicator light



FT-225 LED	Universal LED front lamp 12V, 2-functional POSITIONAL/INDICATOR, 1 m cable.
FT-225 LED BAJONET	Universal LED front lamp 12V, 2-functional POSITIONAL/INDICATOR, 5PIN Bayonet connector.



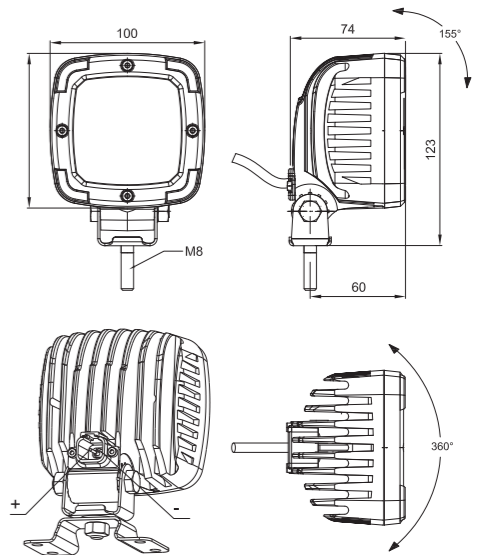
**FT-360 LED**

**FT-361 LED**

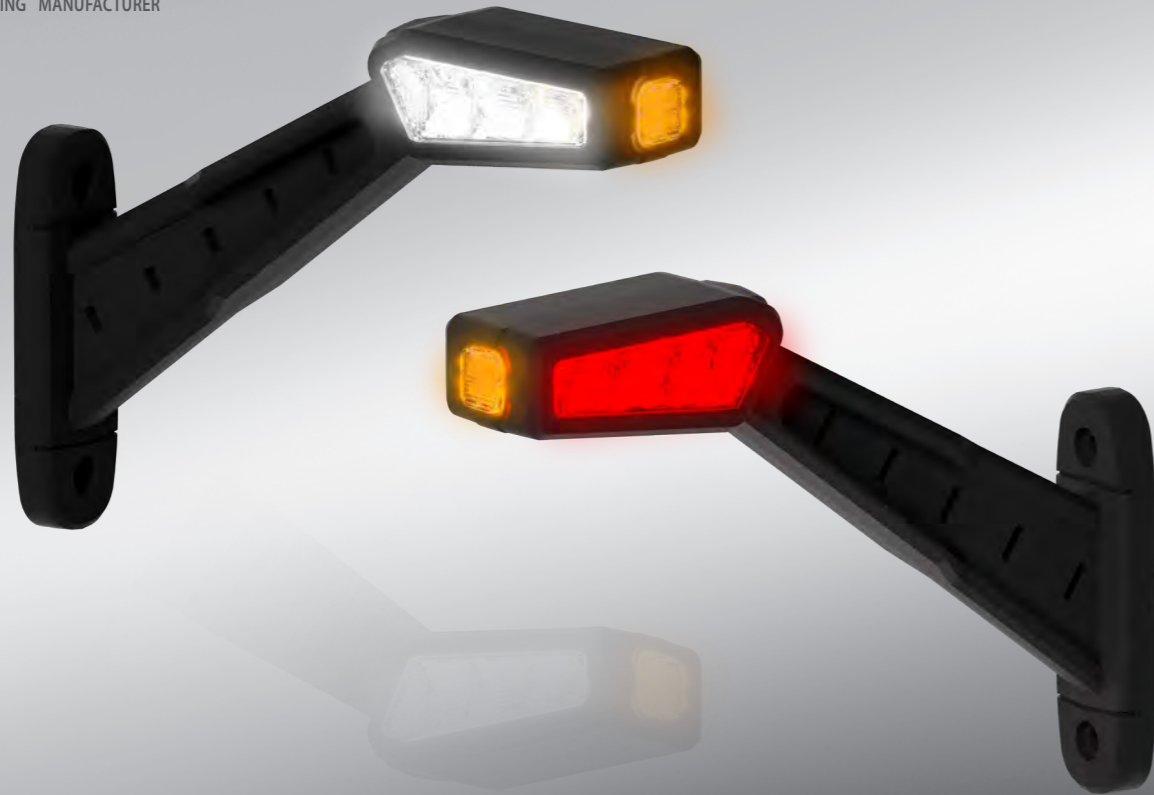


Work lamps

- LED work lamps
- FT-360 LED – wide lighting beam (illumination of close working area).
- FT-361 LED – focused beam of light (illumination of the far working field).
- Light color temperature about 5700K (natural color, optimal to human eyes)
- Light beam 4100 lm
- Wide application



FT-360 LED	Universal LED work lamps, wide luminous flux, min. 4100 lm, black aluminium housing, red frame, joint holder, cable 1,5 m.
FT-360 DS LED	Universal LED work lamps, wide luminous flux, min. 4100 lm, black aluminium housing, red frame, joint holder, DEUTSCH STECKER SOCKET built-in.
FT-360 LED MAG M30 KN	Universal LED work lamps, wide luminous flux, min. 4100 lm, magnetic joint holder, black aluminium housing, red frame, joint holder, The lamp is additionally equipped with a 3 m long spiral lead (in spiral 0.6 m).
FT-360 LED MAG M78 KN	Universal LED work lamps, wide luminous flux, min. 4100 lm, magnetic joint holder, black aluminium housing, red frame, joint holder, The lamp is additionally equipped with a 7,8 m long spiral lead.
FT-361 LED	Universal LED work lamps, focused light beam, min. 4100 lm, black aluminium housing, red frame, joint holder, cable 1,5 m.
FT-361 DS LED	Universal LED work lamps, focused light beam, min. 4100 lm, black aluminium housing, red frame, joint holder, DEUTSCH STECKER SOCKET built-in.
FT-361 LED MAG M30 KN	Universal LED work lamps, focused light beam, min. 4100 lm, magnetic joint holder, black aluminium housing, red frame, The lamp is additionally equipped with a 3 m long spiral lead.
FT-361 LED MAG M78 KN	Universal LED work lamps, focused light beam, min. 4100 lm, magnetic joint holder, black aluminium housing, red frame, The lamp is additionally equipped with a 7,8 m long spiral lead.

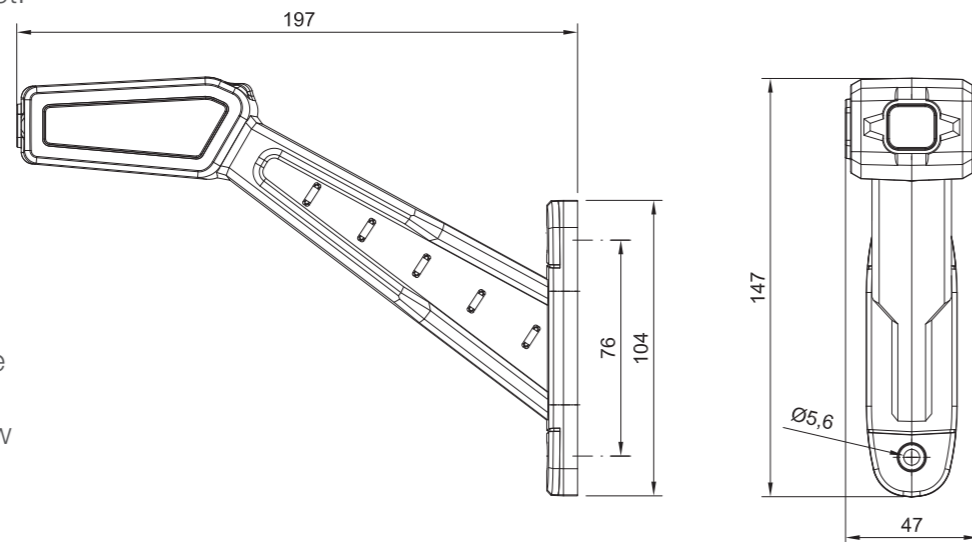


**FT-146 LED**



### Clearance lamp

- 3-functional LED end-outline marker with the rubber elastic bracket.



#### LAMP FUNCTIONS:

- clearance front light – white
- clearance rear light – red
- clearance side light – yellow

FT-146 L LED	3-functional LED side marker, left, long, slanted rubber arm, 2x0,75 mm <sup>2</sup> cable 0.3 m long.
FT-146 P LED	3-functional LED side marker, right, long, slanted rubber arm, 2x0,75 mm <sup>2</sup> cable 0.3 m long.



**FT-073 LED**



### Clearance Lamp

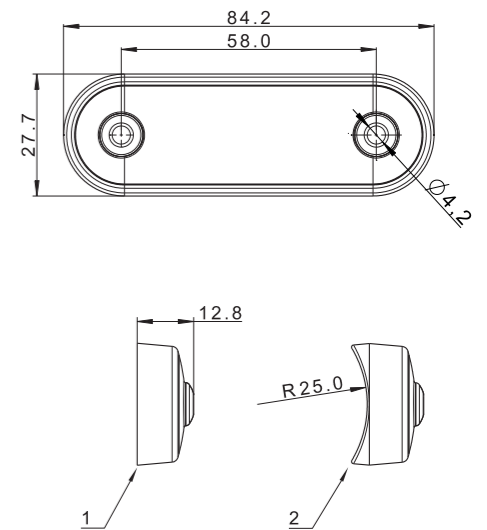
- 1-functional LED clearance lamp
- Shock-resistance – PC lampshade
- Optional polarity connection
- Possibility to mount the lamp to the car body or on the vehicle's piping with ranged profiled rubber element.

#### LAMP FUNCTIONS:

- front clearance light – white
- rear clearance light – red
- side clearance light – yellow

#### SET CONTAINS:

- rubber for flat fitting
- rubber for fitting on tubular bars
- screw cover



FT-073 B LED	Clearance Lamp LED 12-36V, white, loom 0,5 m, with a flat and round black rubber gasket for a vehicle bullbars.
FT-073 C LED	Clearance Lamp LED 12-36V, RED, loom 0,5 m, with a flat and round black rubber gasket for a vehicle bullbars.
FT-073 Z LED	Clearance Lamp LED 12-36V, YELLOW, loom 0,5 m, with a flat and round black rubber gasket for a vehicle bullbars.





**FT-072 LED**

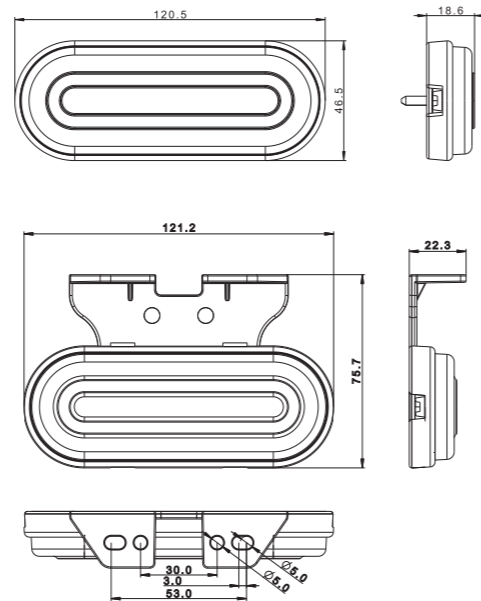


### Clearance Lamp

- 2-functional LED clearance lamp
- Shock-resistance – PC lampshade
- Optional polarity connection
- There are no visible elements connecting the lamp with the body (click system).

#### LAMP FUNCTIONS:

- front clearance light – white
- rear clearance light – red
- side clearance light – yellow



FT-072 B LED	Clearance Lamp LED 12-36V, white with reflector and a loom 0,5 m.
FT-072 B LED QS075	Clearance Lamp LED 12-36V, white with reflector and a loom 0,5 m ended QS075.
FT-072 B LED QS150	Clearance Lamp LED 12-36V, white with reflector and a loom 0,5 m ended QS150.
FT-072 C LED	Clearance Lamp LED 12-36V, RED with reflector and a loom 0,5 m.
FT-072 C LED QS075	Clearance Lamp LED 12-36V, red with reflector and a loom 0,5 m ended QS075.
FT-072 C LED QS150	Clearance Lamp LED 12-36V, red with reflector and a loom 0,5 m ended QS150.
FT-072 Z LED	Clearance Lamp LED 12-36V, YELLOW with reflector and a loom 0,5 m.
FT-072 Z LED QS075	Clearance Lamp LED 12-36V, yellow with reflector and a loom 0,5 m ended QS075.
FT-072 Z LED QS150	Clearance Lamp LED 12-36V, yellow with reflector and a loom 0,5 m ended QS150.



**FT-074 LED**

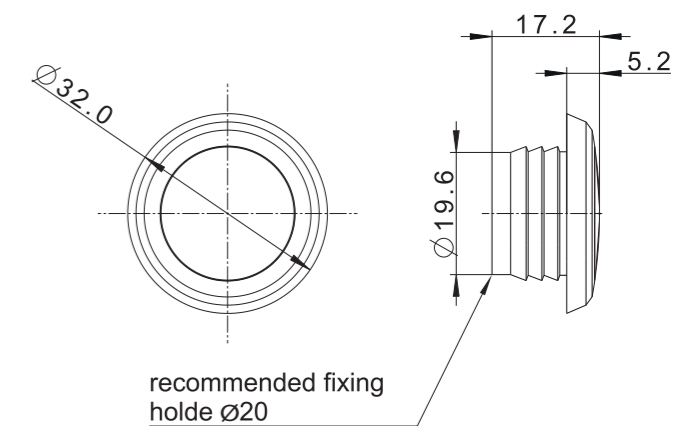


### Clearance Lamp

- 1-functional LED lamp
- Shock-resistance – PC lampshade
- Reverse polarity protection system
- Easy assembling lamp

#### LAMP FUNCTIONS:

- front clearance light – white
- rear clearance light – red
- side clearance light – yellow



FT-074 B LED	Clearance Lamp LED 12-36V, white, round, recessed, cable 0.15 m.
FT-074 C LED	Clearance Lamp LED 12-36V, red, round, recessed, cable 0.15 m.
FT-074 Z LED	Clearance Lamp LED 12-36V, yellow, round, recessed, cable 0.15 m.



FT-141 LED

FT-141 A LED

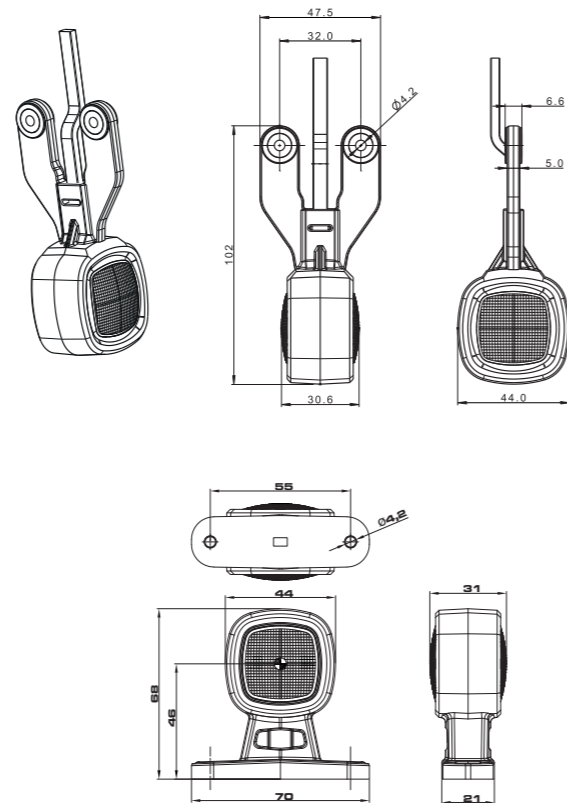


### Clearance Lamp

- 2-functional LED lamp
- Shock-resistance – PC lampshade
- Reverse polarity protection system
- Due to its dimensions, the lamp has universal use

#### LAMP FUNCTIONS:

- front clearance light – white
- rear clearance light – red



FT-141 A LED	2-functional LED side marker, 12-30V, hanging version, 2x0.75 mm <sup>2</sup> cable 0.5 m long.
FT-141 LED	2-functional LED side marker, 12x30V, 2x0.75 mm <sup>2</sup> cable 0.5 m.



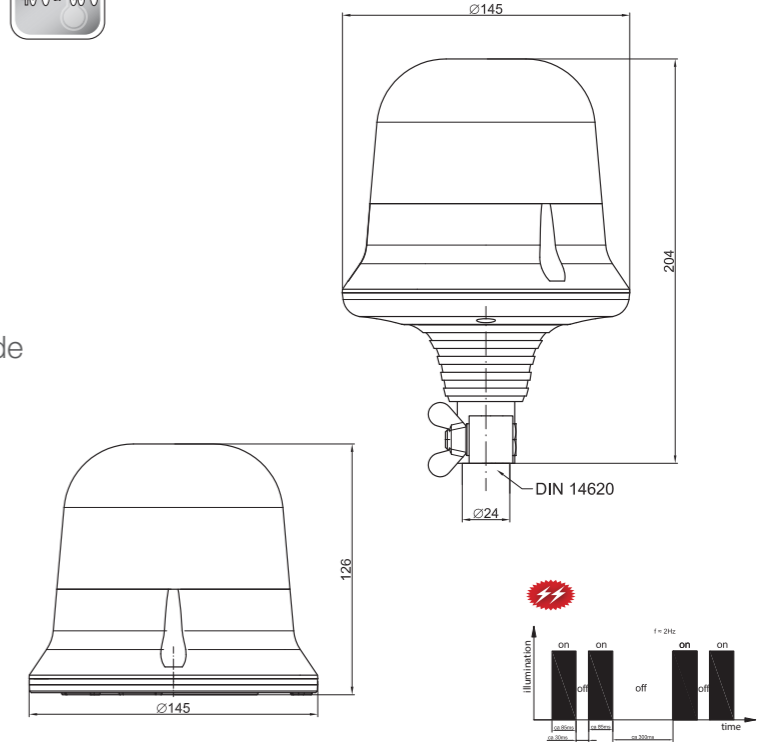
FT-150 DF N LED



### Warning beacon

- Application of 9 CREE LED diodes
- Shock-resistance – IK
- Reverse polarity protection
- The housing and other lamp parts are made of top quality materials (PC - polycarbonates) to both mechanical damages and vibrations.

- Ground (-) white wire
- Plus (+) black wire



FT-150 3S DF N LED	Blue LED warning beacon, double flash, mounted on 3 screws, cable's length 1.5 m.
FT-150 DF N LED MAG M30	Blue LED warning beacon, double flash, portable version mounted on a magnet. The lamp is equipped with a spiral cable max 3 m.
FT-150 DF N LED MAG M78	Blue LED warning beacon, double flash, portable version mounted on a magnet. The lamp is equipped with a spiral cable max 7,8 m.
FT-150 DF N LED PI	Blue LED warning beacon, double flash. The lamp appears in a stationary LED 12-55V version with a pipe-socket and electrical connector type PLUG-IN.



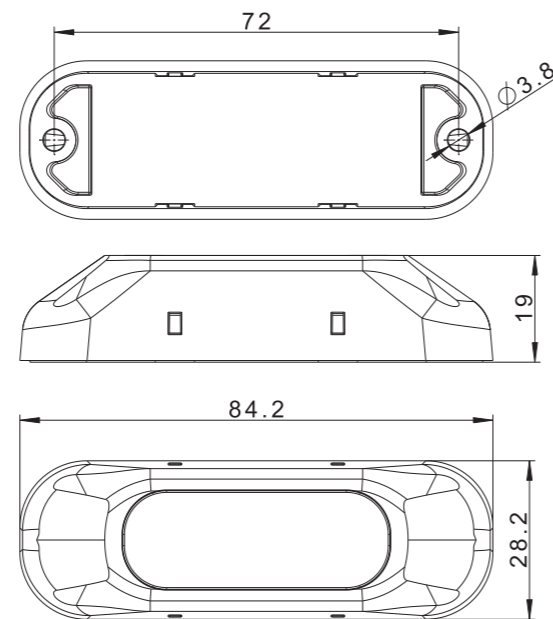
**FT-210 N LED**



### Warning beacon

- Directional XA1 warning light lamps
- 3 pcs of OSRAM's extremely efficient LEDs.
- reverse polarity protection system
- Flash frequency:  $f = 2,0$  Hz (single, double, triple flash)
- The lamp makes use of several fully approved warning flashes, which can be changed in a simple and user-friendly way.

- Ground (-) white wire
- Plus (+) black wire
- Synchronization – yellow wire



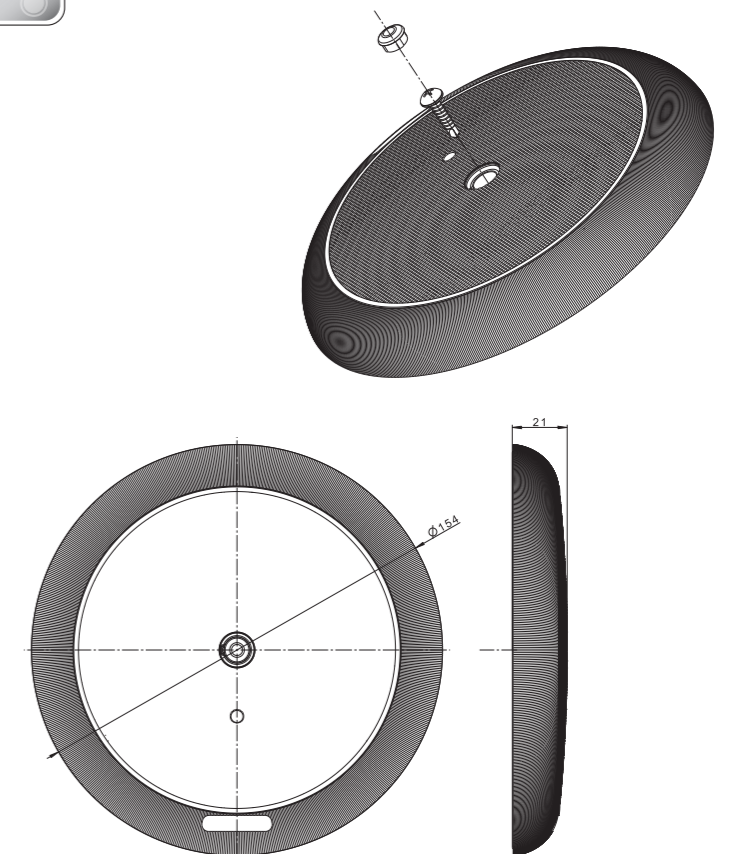
**FT-161 LED**



### Interior lighting lamp

- Interior LED type lamps
- Due to its compact size, shock resistance, easy installation and waterproofness the lamp is very appreciated in:
  - cabins
  - cold stores
  - cargo boxes
  - caravans
- Mounting by means of a self-drilling screw (included)

- Color temperature: white, neutral; 4000K
- Effective (measured) light beam: 1200 lm





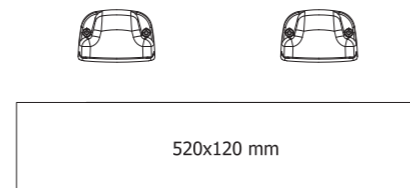
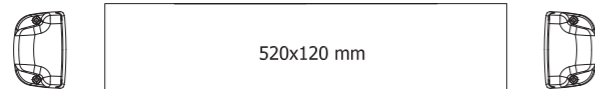
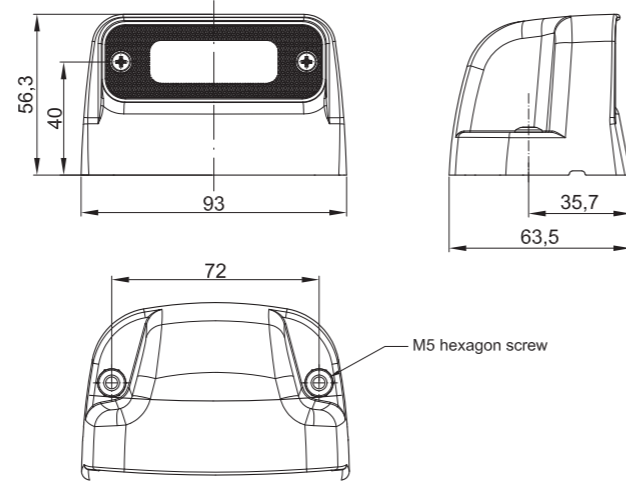
**FT-263/1 N LED**



License plate lamp

- 1-functional number plate LED lamp
- Optional polarity connection
- Two mounting options

LAMP FUNCTIONS:  
• license number plate light



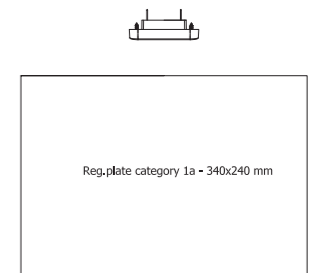
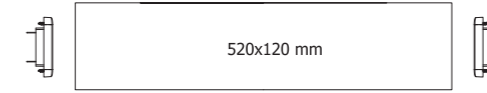
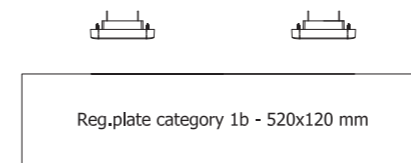
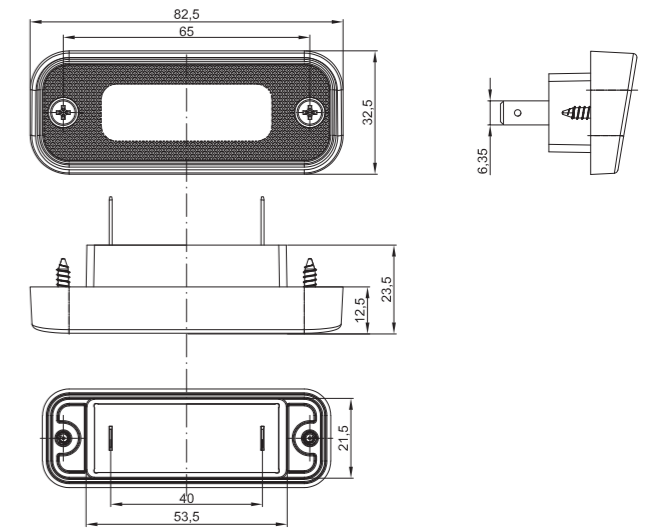
**FT-263 LED**



Recessed license plate lamp

- 1-functional number plate LED lamp
- Optional polarity connection
- Two mounting options

LAMP FUNCTIONS:  
• license number plate light





VEHICLE LIGHTING MANUFACTURER