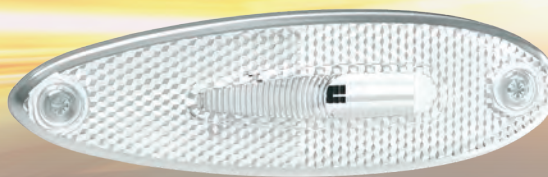
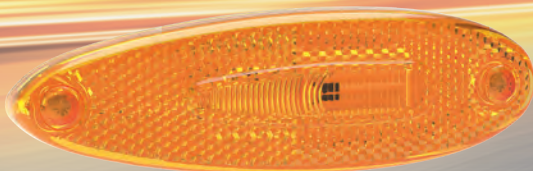


## FT-076 LED

### NEW!



- 1-functional **LED** clearance lamp with reflector
- low power consumption.
- European **E9** homologation; **Reg 10**
- ElectroMagnetic Compatibility – **EMC** certificate
- Reinforced construction
- Optional polarity connection

#### Lamp functions:

- Depending from the light color:
- front clearance light – **white color**
- side clearance light – **yellow color**

#### Lamp assembly (E9 homologation):

- white front position light – *vertical and horizontal*
- yellow side position light – *horizontal*

#### Technical specification:

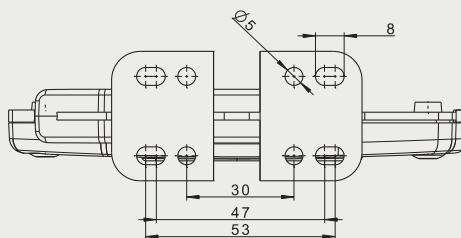
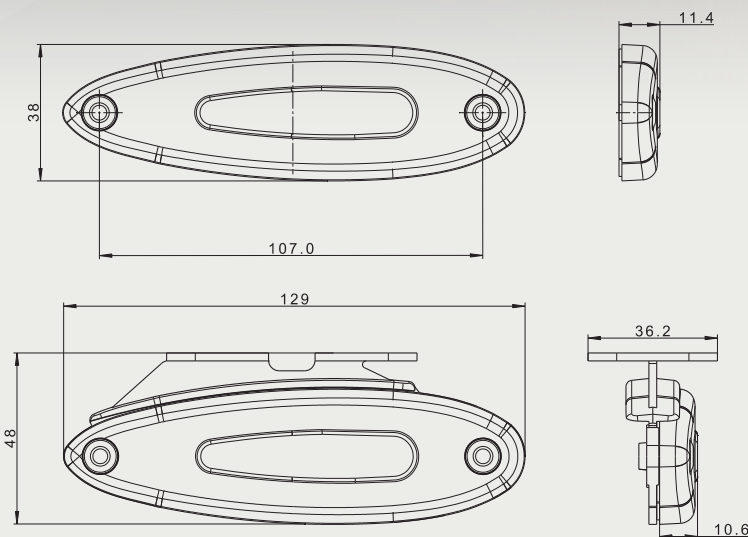
- supply voltage: **12-36V DC**
- operating temperature: **– 40°C to +55 C**
- lamp is resistant to any weather conditions
- lamp is fully airtight

#### Power consumption:

- **12V/24V = 0,02A/0,02A**

#### Power consumption / Rated power:

- **12V/24V = 0,25W/0,5W**



*... all you need is light*

**SALES OFFICE:**  
FRISTOM

Spółka z ograniczoną odpowiedzialnością i Sp. K.  
ul. Grunwaldzka 207A  
POLAND, 85-451 Bydgoszcz

**SALES DEPARTMENT:**

mobile +48 609 909 456  
bstaniaszek@fristom.com.pl  
mobile +48 607 843 275  
wsaran@fristom.com.pl