

Vehicle lighting manufacturer

Fristom

www.fristom.com.pl

FT-145 LED

NEW!

Outline
MARKER
LED lamp



3-functional **LED** end-outline marker with the rubber elastic bracket.

- european **E9** homologation
- ElectroMagnetic Compatibility – **EMC** certificate
- shock-resistance – PC lampshade

Lamp functions:

- white clearance front light
- red clearance rear light
- yellow clearance side light
- lamp is fully airtight

Technical specification:

- supply voltage: **12-36V DC**
- operating temperature: **-40°C to +55°C**
- optional polarity connection

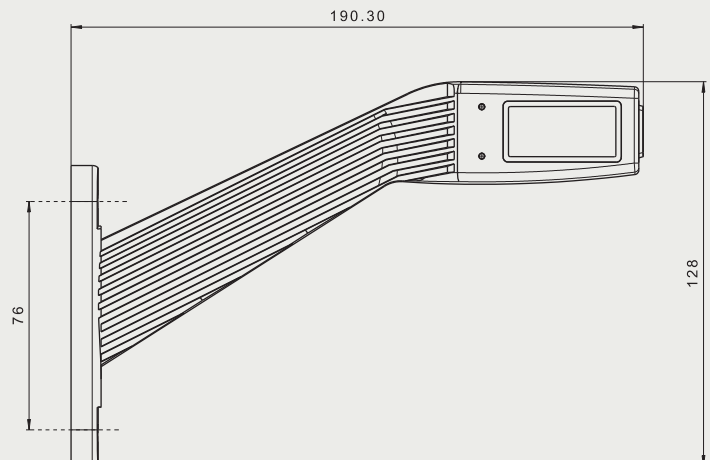
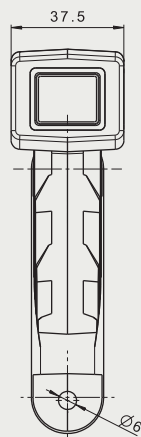
Power consumption:

- **12V/24V = 0,1A/0,1A**

Power consumption / Rated power:

- **12V/24V = 1,2W/2,4W**

PRODUCT
IS COMPATIBLE
WITH FT-500!



... all you need is light

BIURO:
FRISTOM

Spółka z ograniczoną odpowiedzialnością i Sp. K.
ul. Grunwaldzka 207A
POLAND, 85-451 Bydgoszcz

EXPORT:

mobile +48 609 909 456
bstaniaszek@fristom.com.pl
mobile +48 607 843 275
wsaran@fristom.com.pl