

FT-214 LED



rear running light

reversing light

fog light

3-functional

3-functional LED lamp – low power consumption
European E9 homologation
ElectroMagnetic Compatibility – EMC certificate
Shock-resistance – PC lampshade
Reverse polarity protection system
The lamp depth is only 35 mm

Lamp functions:

- rear running light
- reversing light
- fog light

Technical specification:

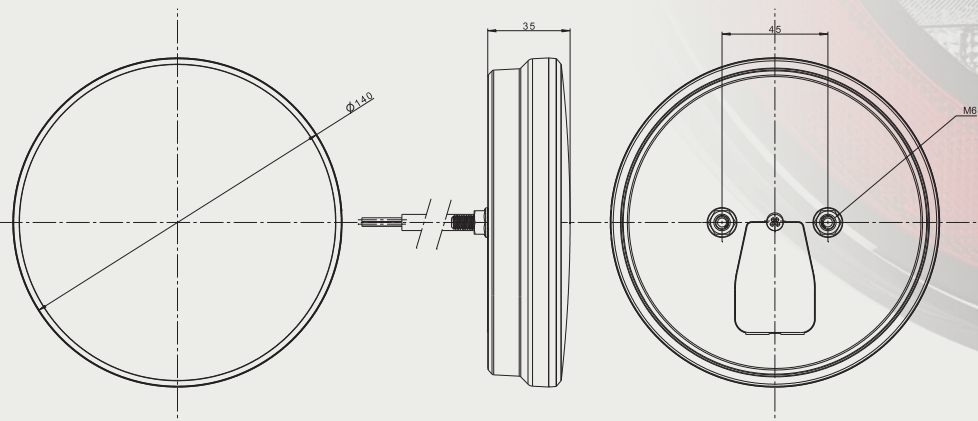
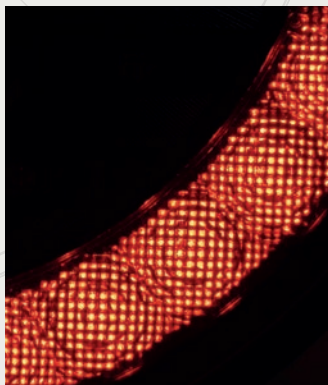
- supply voltage: 12-36V DC
- operating temperature: -40°C to +55°C
- lamp is resistant to any weather conditions
- lamp is fully airtight
- cable out 1 m

Power consumption:

- rear running light: 12V/24V = 0,05A/0,05A
- reversing light: 12V/24V = 0,2A/0,12A
- fog light: 12V/24V = 0,25A/0,15A

Power consumption / Rated power:

- rear running light: 12V/24V = 0,6W/1,2W
- reversing light: 12V/24V = 2,4W/3W
- fog light: 12V/24V = 3W/3,6W



... all you need is light

BIURO:
FRISTOM
Spółka z ograniczoną odpowiedzialnością i Sp. K.
ul. Grunwaldzka 207A
POLAND, 85-451 Bydgoszcz

EXPORT:
mobile +48 609 909 456
bstaniaszek@fristom.com.pl
mobile +48 731 088 883
wtomczak@fristom.com.pl
mobile +48 607 843 275
rcardona@fristom.com.pl