

## FT-072 LED

# NEW!



2-functional LED clearance lamp – low power consumption  
 European E9 homologation  
 ElectroMagnetic Compatibility – EMC certificate  
 Shock-resistance – PC lampshade  
 Optional polarity connection  
 The lamp construction features airtightness and resistance of electronic components emitting light to adverse external weather conditions.  
 There are no visible elements connecting the lamp with the body (click system).

**Lamp functions:**  
 Depending on the light color:

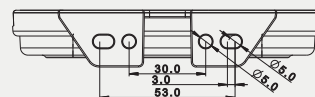
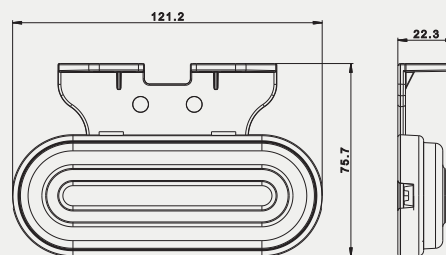
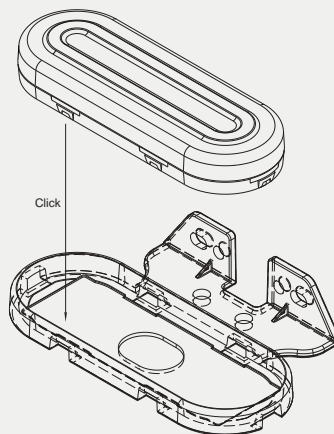
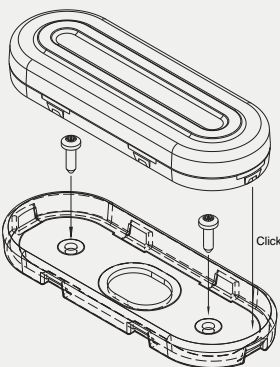
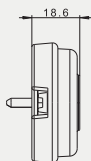
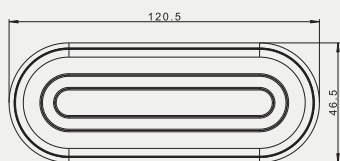
- front clearance light with reflector – horizontal and vertical approval
- rear clearance light with reflector – horizontal and vertical approval
- side clearance light with reflector – horizontal approval

**Technical specification:**

- supply voltage: 12–36V DC
- operating temperature: – 40°C to +55°C
- lamp is resistant to any weather conditions
- lamp is fully airtight

**Power consumption:**  
 - 12V/24V = 0,1A/0,1A

**Power consumption / Rated power:**  
 - 12V/24V = 1,2W/2,4W



... all you need is light

**BIURO:**  
 FRISTOM  
 Spółka z ograniczoną odpowiedzialnością i Sp. K.  
 ul. Grunwaldzka 207A  
 POLAND, 85-451 Bydgoszcz

**EXPORT:**  
 mobile +48 609 909 456  
 bstaniaszek@fristom.com.pl  
 mobile +48 731 088 883  
 wtomczak@fristom.com.pl  
 mobile +48 607 843 275  
 rcardona@fristom.com.pl