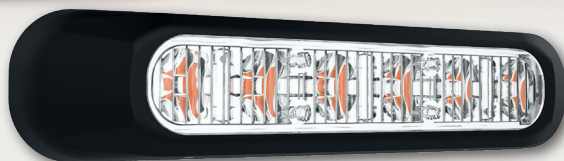
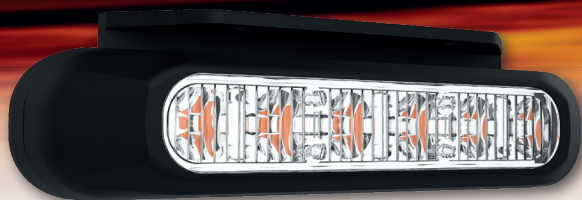


FT-200 LED

NEW!



- 6 programme function
- full synchronisation

Our new FT-200 LED warning lamp is equipped with **6 high-performance LED units from OSRAM**. Thanks to the lamp's double lens system, the light emitted by the diodes is focused and pointed in the correct direction. The light signal will be visible even during difficult weather conditions, at night or during the day. The primary task of the FRISTOM warning lamp is to improve road safety. The lamp makes use of **6 different programmed warning flashes** which can be changed in a simple and user-friendly way. The lamp housing is made of impact-resistant material, and in combination with a lampshade made of polycarbonate (PC) creates a product that is extremely durable and resistant to mechanical damage, shocks, as well as moisture which is all certified with appropriate certificates.

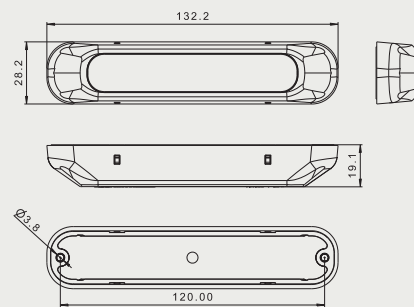
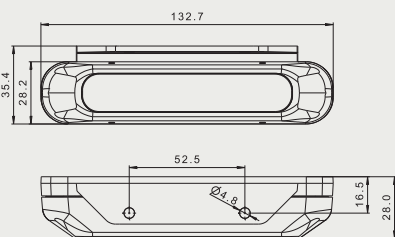
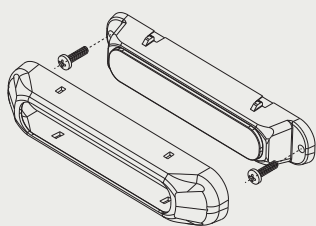
Wide range of uses, including:

- bulk cargo transport
- vehicles involved in the repair and construction of roads
- roadside assistance
- law enforcement

Technical specifications:

- 6 OSRAM LEDs
- Operating voltage range **12 – 36V DC**
- **Power consumption: 12V/24V/**
- **Peak power consumption: 0.6A/0.3A**
- Puissance nominale : Maximale = **8 watts**
- Homologation of warning lamps **ECE no. 65 (XA1)**
- Flash frequency: **f = 2Hz (single, double, triple flash)**

- Certificate of electromagnetic compatibility – (EMC)
- Fully waterproof lamp – **IP68**
- Optimal lamp operating temperature: **-40°C to +55°C**
- The lamp has a reverse polarity protection system
- **Ground** – white wire
- **PLUS** – black wire
- **synchronisation/programme change** – yellow wire
- The mounting bracket can be installed in two variants
- 6 programmes
- Compact construction and attractive design
- Yellow light
- Possibility of synchronising several lamps



...and everything is clear

SALES OFFICE:
FRISTOM

Spółka z ograniczoną odpowiedzialnością i Sp. K.
ul. Grunwaldzka 207A
POLAND, 85-451 Bydgoszcz

SALES DEPARTMENT

mobile +48 609 909 456
bstaniaszek@fristom.com.pl
mobile +48 607 843 275
wsaran@fristom.com.pl