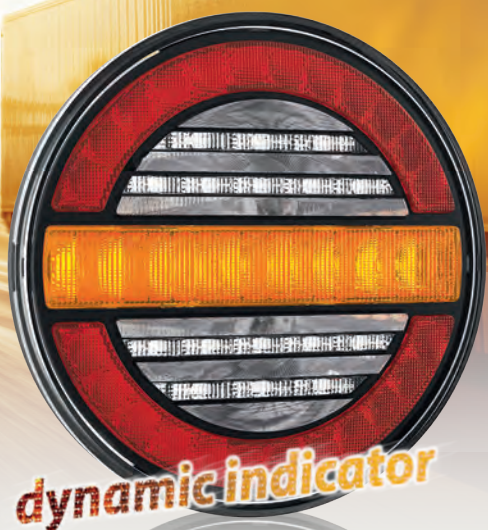


FT-213 LED DI



- rear position light
- STOP light
- indicator

3-functional

3-functional universal LED rear lamp

- low power consumption
- European **E9** homologation
- ElectroMagnetic Compatibility – **EMC** certificate
- Shock-resistance – **PC** lampshade
- Reverse polarity protection system
- The lamp depth is only **35 mm**
- Dynamic indicator**

Lamp functions:

- rear position light
- STOP light
- indicator

Technical specification

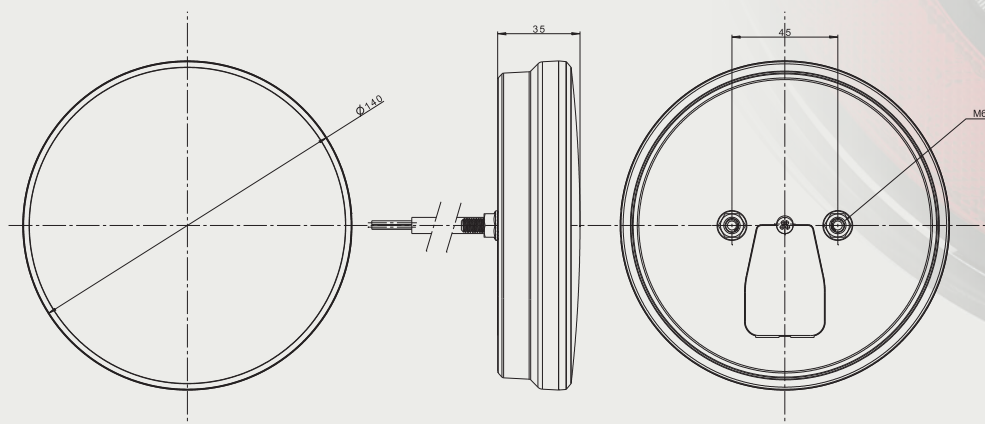
- supply voltage: **12-36V DC**
- operating temperature: **-40°C to +55°C**
- lamp is resistant to any weather conditions
- lamp is **fully airtight**
- cable out **1 m**

Power consumption:

- rear position light : **12V/24V = 0,05A/0,05A**
- STOP light: **12V/24V = 0,2A/0,2A**
- indicator: **12V/24V = 0,35A/0,35A**

Power consumption / Rated power:

- rear position light : **12V/24V = 0,6W/1,2W**
- STOP light: **12V/24V = 2,5W/5W**
- indicator: **12V/24V = 4,5W/9W**



... all you need is light

BIURO:
FRISTOM
Spółka z ograniczoną odpowiedzialnością i Sp. K.
ul. Grunwaldzka 207A
POLAND, 85-451 Bydgoszcz

EXPORT:
mobile +48 609 909 456
bstaniaszek@fristom.com.pl
mobile +48 731 088 883
wtomczak@fristom.com.pl
mobile +48 607 843 275
rcardona@fristom.com.pl