

FT-320 LED

NEW!



dynamic indicator

3-functional LED lamp – low power consumption
 European homologation E9 – horizontal assembly only
 ElectroMagnetic Compatibility (EMC); R10 homologation
 Shock-resistance – PC lampshade
 Reverse polarity protection system

Dynamic indicator

Lamp functions:

- Rear running light
- STOP light
- Indicator

Technical specification:

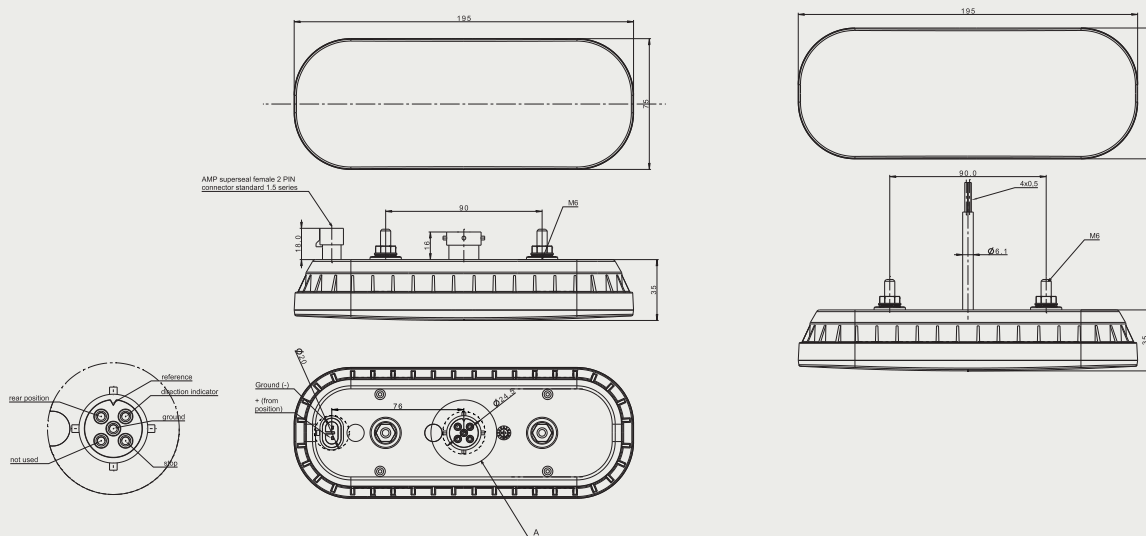
- supply voltage: 12–36V DC
- operating temperature: –40°C to +55°C
- lamp is resistant to any weather conditions
- lamp is fully airtight

Power consumption:

- rear running light: 12V/24V = 0,1A/0,1A
- STOP light: 12V/24V = 0,2A/0,2A
- indicator: 12V/24V = 0,35A/0,35A

Power consumption (rated power):

- rear running light: 12V/24V = 1,5W/3W
- STOP light: 12V/24V = 2,5W/5W
- indicator: 12V/24V = 4,5W/9W



... all you need is light

BIURO:
 FRISTOM
 Spółka z ograniczoną odpowiedzialnością i Sp. K.
 ul. Grunwaldzka 207A
 POLAND, 85-451 Bydgoszcz

EXPORT:
 mobile +48 609 909 456
 bstaniaszek@fristom.com.pl
 mobile +48 607 843 275
 wsaran@fristom.com.pl